

AngleWrap®

The perfect edge to protect your product line



- Reduces packaging cost-per-load
- Safer to handle than wood
- Improves tension transmission

Anglewrap®, made of multiple plies of recycled paper encased in an outer wrap, provides extra strength and added protection for loads during shipping and handling. AngleWrap's unique construction provides superior strength, while providing a reduction in caliper and/or leg length than standard edge protection products. The result is lower costs and fewer pieces per pallet than traditional packaging, which helps to reduce freight, warehousing and administrative costs.

An ideal replacement for wood packaging, AngleWrap prevents paper cuts and delamination and is safer to handle than wood.

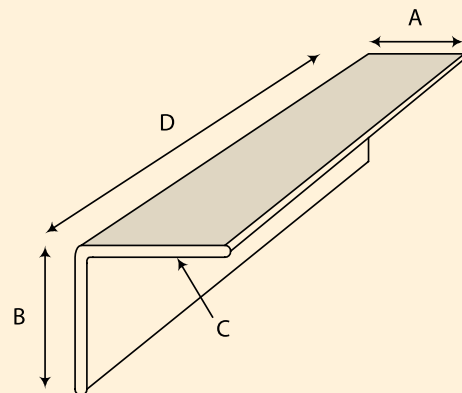
Special surface finishes, including moisture and abrasion-resistant coatings, are available for added protection. One and two-color printing are available for branding, product identification and instructional purposes.



100% Recyclable

Celcor products are made from 100% recycled materials.

©2014 CELCOR AM-1014 02/18



Specifications

AngleWrap sizes are based on the following dimensions*:

- Leg length one-**
A Available from 1.75-3 inches (44.5 mm - 76.2 mm)
- Leg length two-**
B Available from 1.75-3 inches (44.5 mm - 76.2 mm)
- Caliper -**
C Available from .80- .250 inches (3 mm - 6.4 mm)
- Length-**
D Available from 2.5 - 240 inches (50.8 mm - 6096 mm)

*Together, the AngleWrap leg lengths cannot exceed 6 inches (125 mm). Combined leg length measuring more than 6 inches will be manufactured in Angleboard (non-wrapped) product.



Unit 3 • 25 Sheffield Street • Cambridge, Ontario, Canada N3C 1C4
www.celcor.ca • Phone: 519-220-0743 • Fax: 519-220-1437