

Edgemaster®

The perfect edge to protect your product line



- Reduce packaging cost-per-load
- Minimize product damage during transportation
- Protect against strapping damage

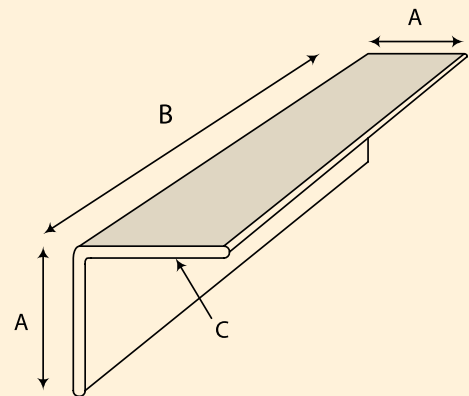
Edgemaster®, a lower cost alternative to traditional corner protection, helps unitize and reinforce your pallet load, while providing added protection and greater stability during shipping and handling. Its unique shape provides reinforcement at the corner and throughout the entire leg length for exceptional product coverage and protection.



100% Recyclable

Celcor products are made from 100% recycled materials.

©2014 CELCOR AM-1017 02/18



Specifications

Edgemaster sizes are based on the following dimensions:

A Leg lengths-

Available in 2.0" x 2.0", 2.5" x 2.5", 3.0" x 3.0" (50.8 x 50.8 mm, 63.5 x 63.5 mm, 76.2 x 76.2 mm)

B Caliper -

Available from .140" - .225" (3.6 mm - 5.7 mm)

C Length-

Available from 12" - 240" (304.8 mm - 6096 mm)



Unit 3 • 25 Sheffield Street • Cambridge, Ontario, Canada N3C 1C4
www.celcor.ca • Phone: 519-220-0743 • Fax: 519-220-1437